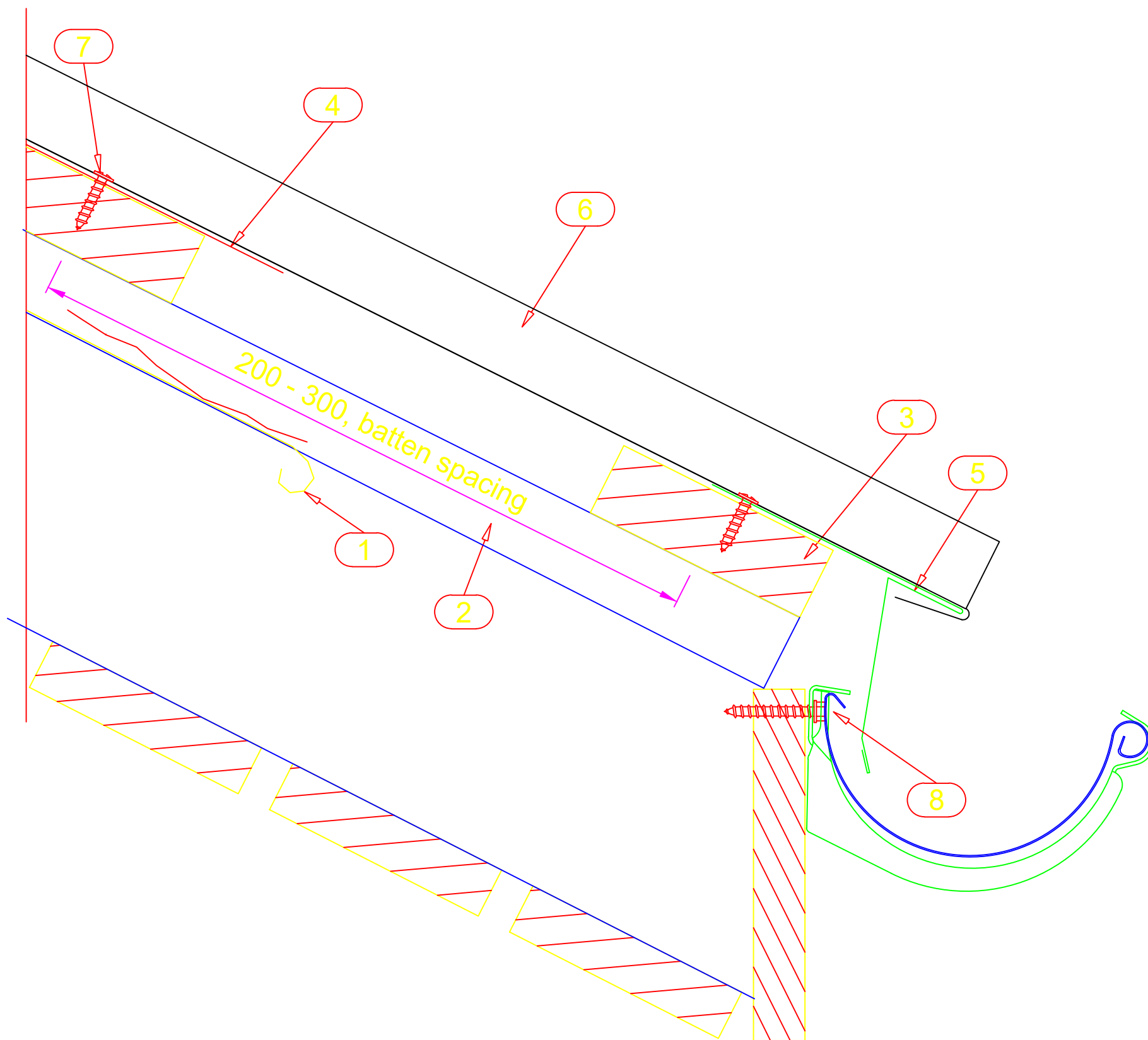
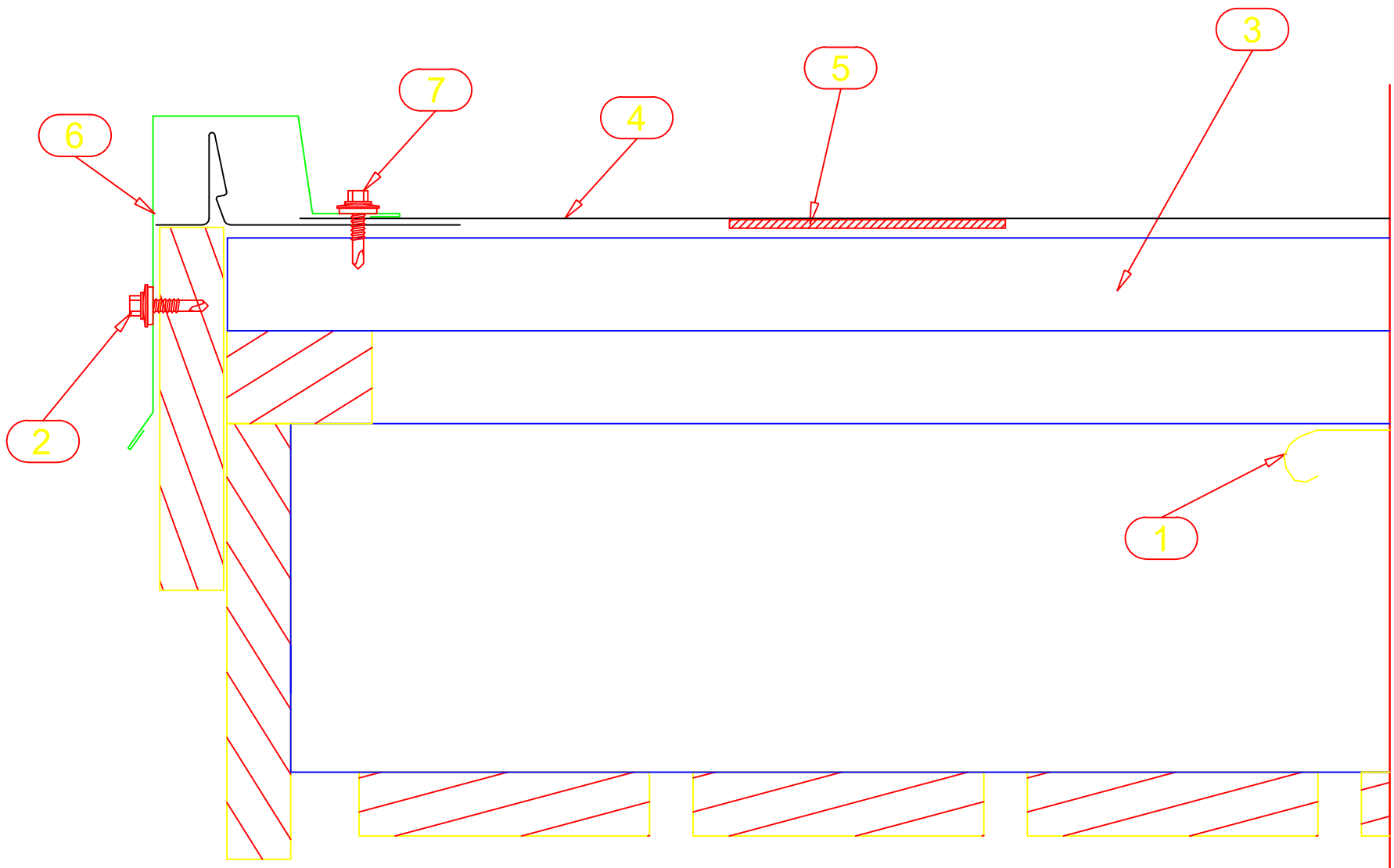


Date 07.02.2006	Rev.date 15.04.2011	Work nr.	Drw. nr.	Rev.
Drawn by Ruukki	Rev.			
Scale 1:3	Building		File nr.	

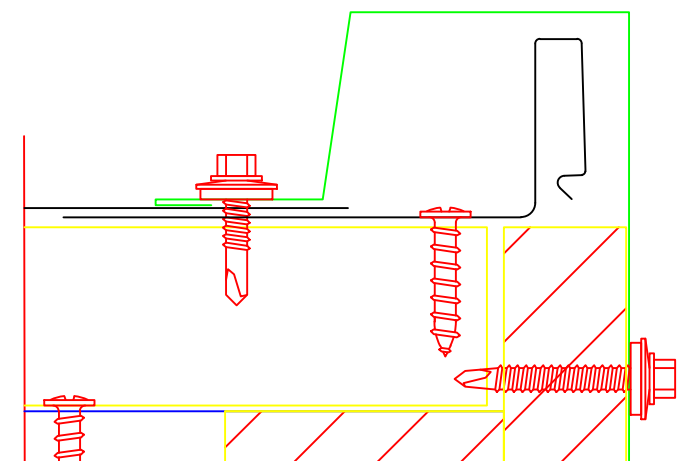


1. UNDERLAY
2. BATTEN, e.g. 32*50
3. WOODEN BATTEN 22...32*100
4. ACOUSTIC FILLER
5. EAVE FLASHING, RA1AEF
6. ROOFING SHEET CLASSIC SR35-475D
7. CLASSIC SCREW
8. FASTENER

Date 07.02.2006	Rev.date 15.04.2011	Work nr.	Drw. nr. SSDFI02-01	Rev.
Drawn by Ruukki	Rev.			
Scale 1:3	Building		File nr.	

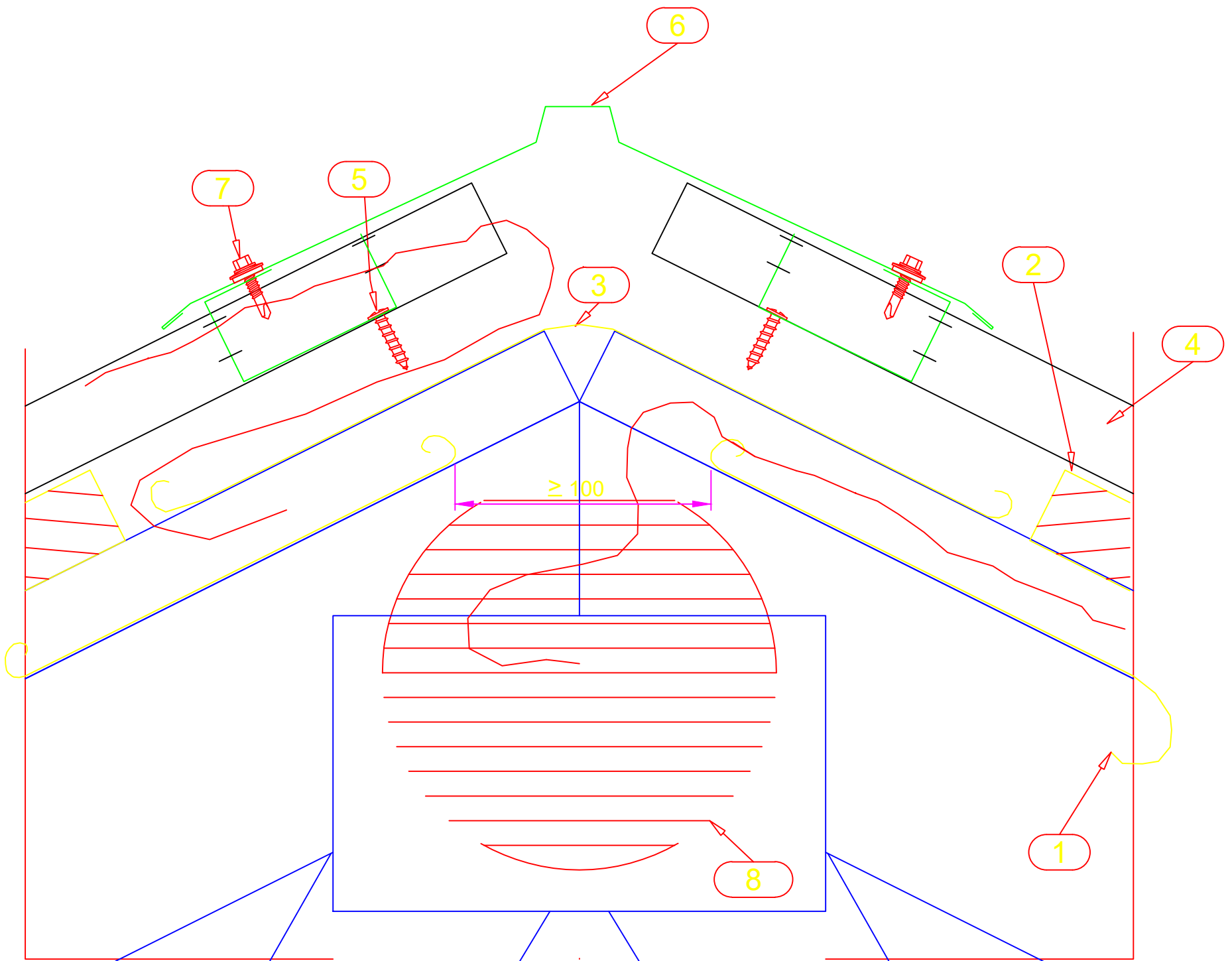


Other side

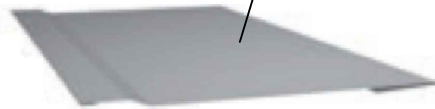
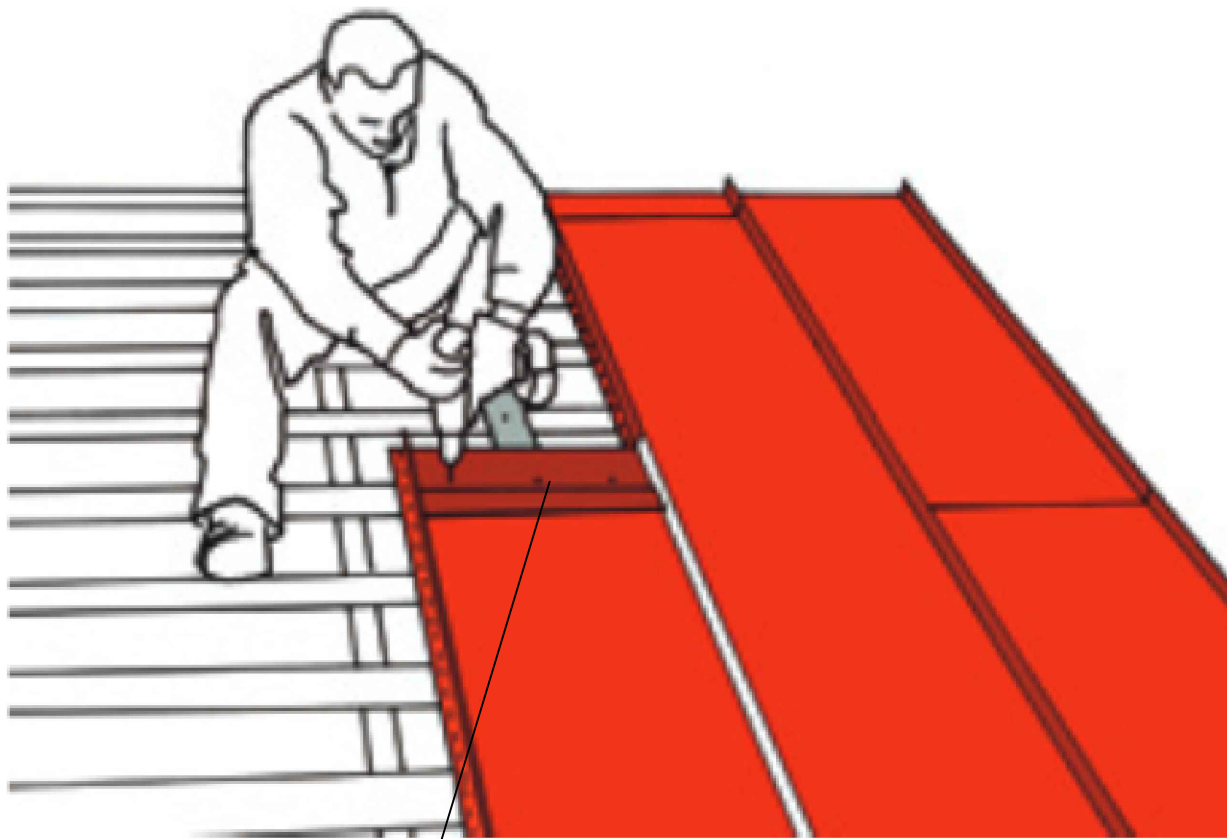


1. UNDERLAY
2. FASTENER
3. WOODEN BATTEN 22...32*100
4. ROOFING SHEET CLASSIC SR35-475D
5. ACUSTIC FILLER
6. VERGE TRIM, RA1AG
7. FASTENER

Date 07.02.2006	Rev.date 15.04.2011	Work nr.	Drw. nr. SSDFI03-01	Rev.
Drawn by Ruukki	Rev.			
Scale 1:3	Building		File nr.	



1. UNDERLAY
2. WOODEN BATTEN 22...32*100
3. UNDERLAY
4. ROOFING SHEET CLASSIC SR35-475D
5. CLASSIC SCREW
6. RIDGE CAPPING, RA1AR
7. FASTENER
8. VENTILATION



- **Overlapping extension**

The maximum length of Classic type roofing sheets is 12.5 metres. Lengthways overlapping is needed for roof panes longer than 12.5 metres. If more than one lengthways overlap is needed on a roof pane, it is recommended that these overlaps are positioned alternately at a distance of one-third of the roof pane's length, however, they must be at least 700 mm apart from one another. As the installation proceeds, pay attention to how the sheet overlaps run. In problem situations, contact our technical assistance.

Fix the roofing sheet requiring an extension to the battening with Classic screws. Install the joint flashing RA1ACJ at the end of the roofing sheet. Fix the joint flashing with three Classic screws.

OVERLAPPING EXTENSION FLASHING

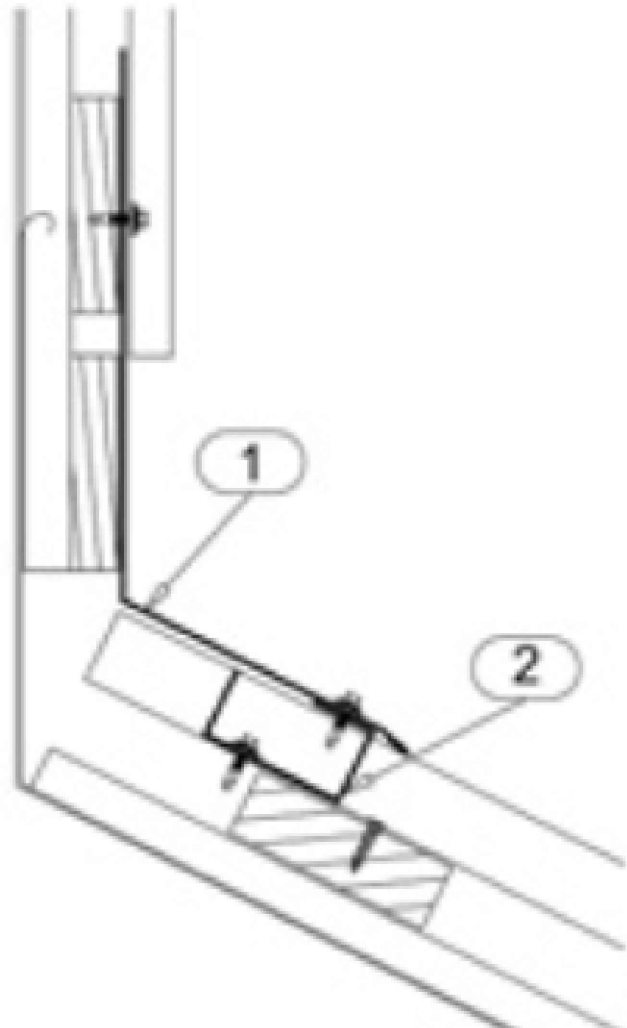


Use the bumping mallet to hit the seams of both roofing sheets at least at the distance of the joint flashing RA1ACJ, in order to decrease the size of the seams so that the sheet to be located on top can be put in place.

Cut the seam's protective tape where the joint flashing is to be placed. Remove the tape only after the sheet to be placed on top has been installed in place.

Roof-to-wall intersection, end wall, vertical detail

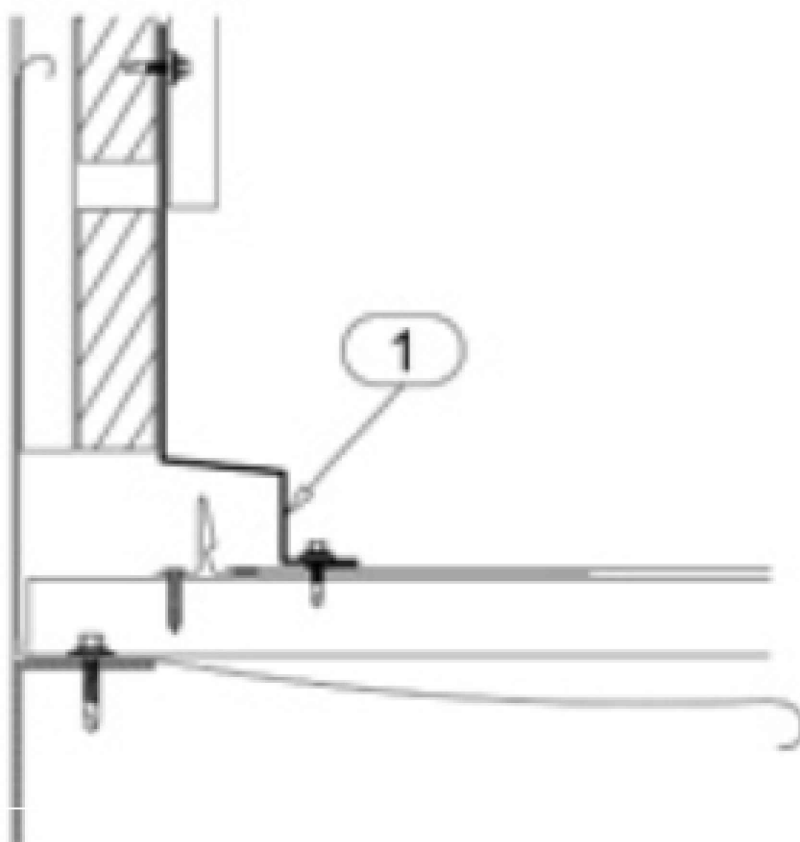
1. Classic connection flashing RA1AJ
2. Classic ridge sealing strip/hip flashing RA1AH



**FOR DORMER ROOF
CONNECTION TO MAIN ROOF**

Roof-to-wall intersection, sidewall, vertical detail

1. Classic connecting flashing to the side RA1AJD



FOR DORMER SIDE WALL